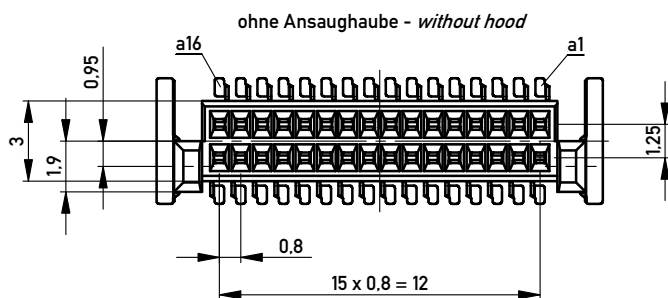
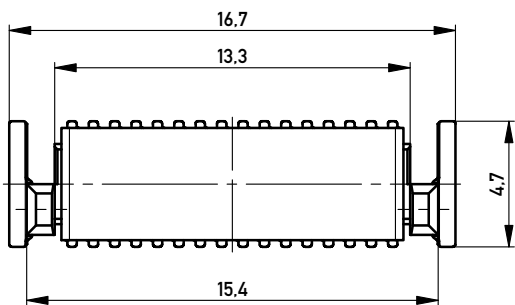
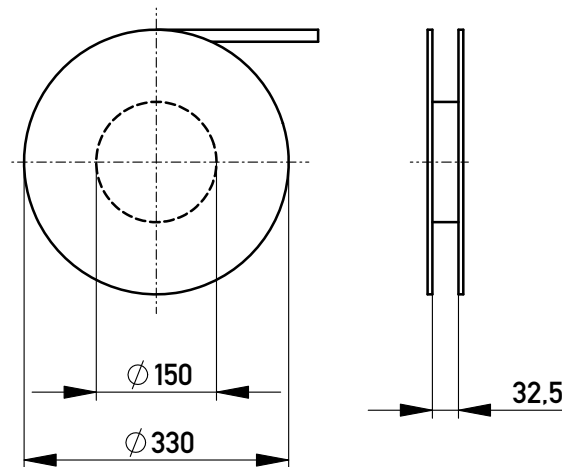
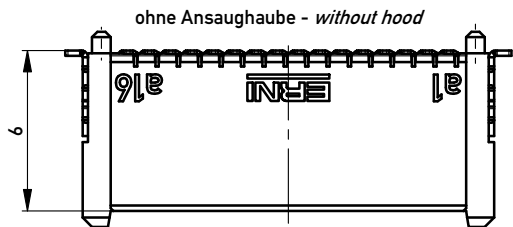


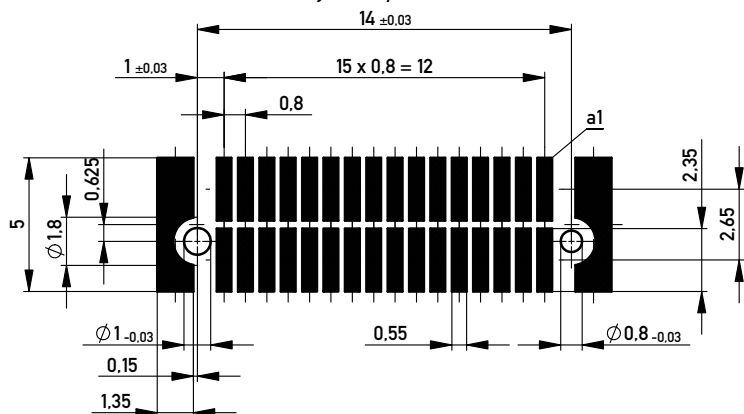
Verpackt in Gurtverpackung - *Tape on Reel Packaging*  
 Verpackungseinheit: 670 Stück - *Packaging unit: 670 pcs*



Abspulrichtung - *Reel off Direction*



Leiterplatten-Layout Vorschlag für SMT  
*PCB-Layout Proposal for SMT*

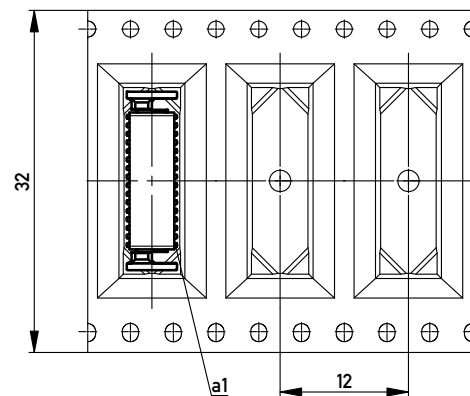


Anforderungsstufe 2  
*Performance Level 2*

Kontaktbereich vergoldet  
*Mating Area gold plating*

Anschlussbereich verzinkt 4-6 µm  
*Terminal Area 4-6 µm tin plating*

Koplanarität der Anschlüsse ≤ 0.1 mm  
*Coplanarity Area of Termination ≤ 0.1 mm*



Information:	Tolerances		Scale	5:1
	All Dimensions in mm			
All rights reserved. Only for Information. To ensure that this is the latest version of this drawing, please contact one of the ERNI companies before using.	Subject to modification without prior notice. Drawing will not be updated.		Designation	
	www.ERNI.com		0,8 DRC-B, F 6mm, 32 polig 0,8 DRC-B, F 6mm, 32 pin	
ERNI		294016		I
Index	Date	Class		A3
		DRCB		

Copyright by ERNI GmbH  
 Proprietary notice pursuant to ISO 9006 to be observed.